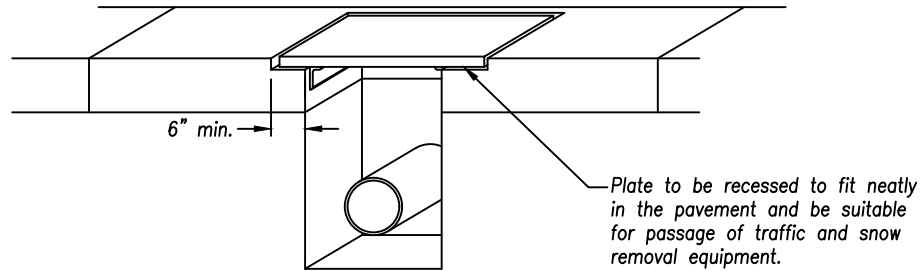


Trench Plate Detail

DATE: 05/04/2020

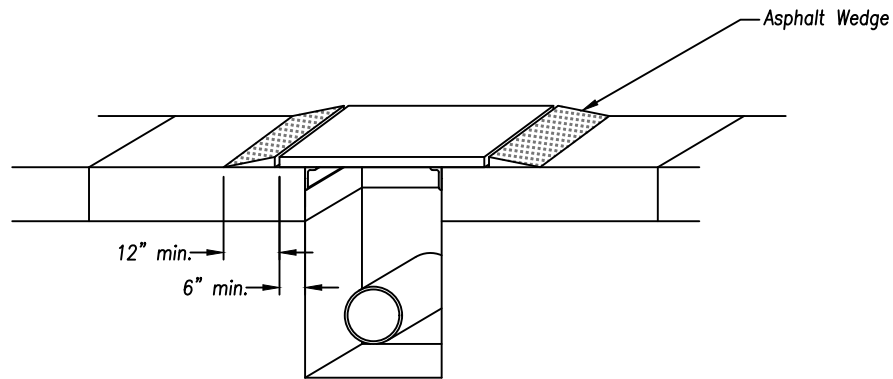
SCALE: NONE

FILE: 2020-002.DWG



Higher Speed / Volume Applications

45 MPH or Greater
Greater Than 6000 ADT



Lower Speed / Volume Applications

40 MPH or Less
6000 ADT or Less

Notes:

1. For trenches excavated within City roads, trenches shall be plated in accordance with this standard drawing. The intent of the drawing is to provide the availability of all traffic lanes, especially during peak traffic periods.
2. Excavation must be backfilled to the bottom of the plate if left unattended for over 4 hours.
3. City reserves the right to require recessed plates during winter months.