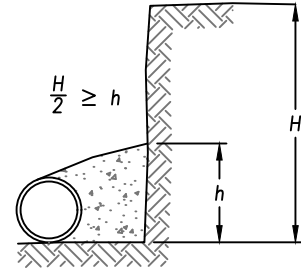
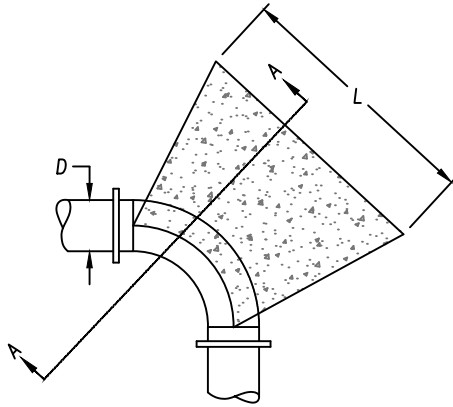


Thrust Blocking

DATE: 06/01/2020

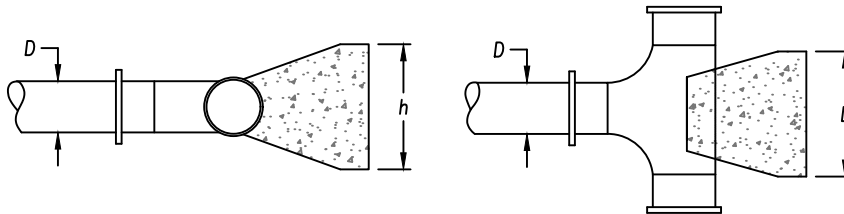
SCALE: NONE

FILE: 2020-021.DWG



SECTION A-A

Thrust Block at Elbow



Thrust Block at Tees

Notes:

- Bearing depth (h) shall be determined from bearing area required (see table). Bearing length (L) will be 1' minimum.
- The surface of the bearing area shall be smooth undisturbed earth.
- ODOT Class C Concrete shall be used for all blocking.
- Height of blocking to be less than or equal to 1/2 of the depth of the trench. See Section A-A.
- Concrete anchor blocking will be permitted for work on existing mains. New watermain installation must be restrained by restraining joint systems or locking gaskets such as FieldLok, or equal, provided that sufficient length for mechanical restraint is available.

Minimum Bearing Area Required, h x L (sq. ft.)					
Dia., D	Horizontal Bends				Tee or Dead End
	11 1/4°	22 1/2°	45°	90°	
4"	1	1	1	2	2
6"	1	2	3	4	3
8"	1	2	4	7	5
10"	2	3	6	11	8
12"	2	4	8	15	11
16"	4	7	14	26	18

Areas tabulated are for single fittings and bearing pressure of 2000 lb/sf. When more than one fitting is used, the bearing area should be increased proportionately.