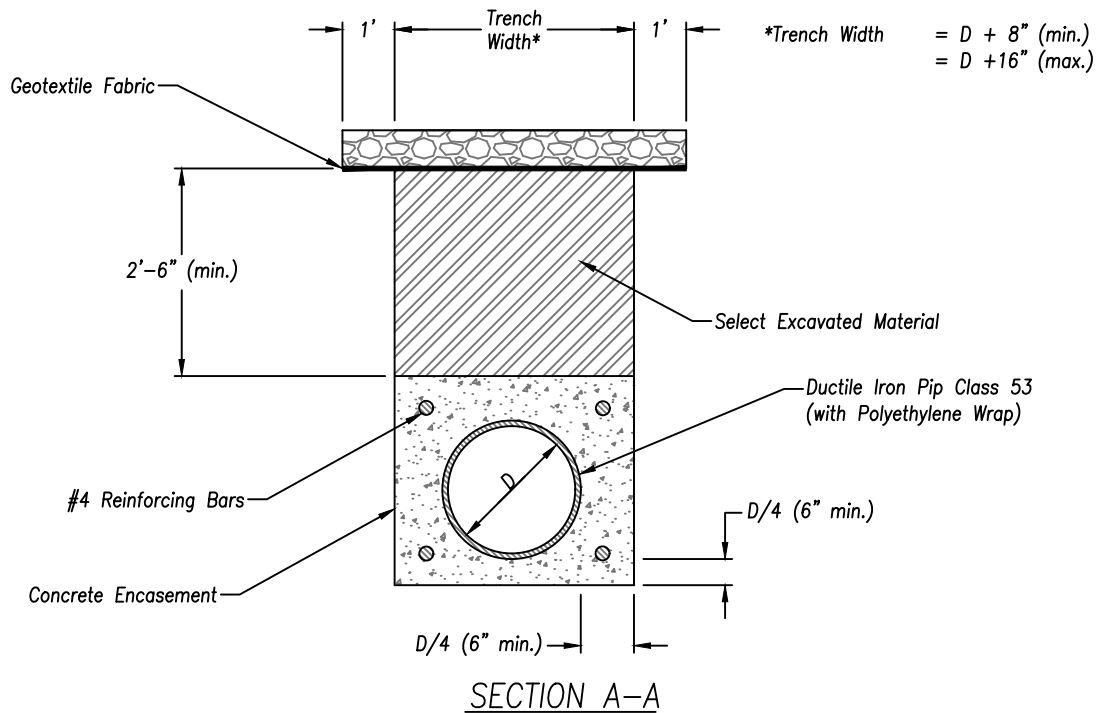
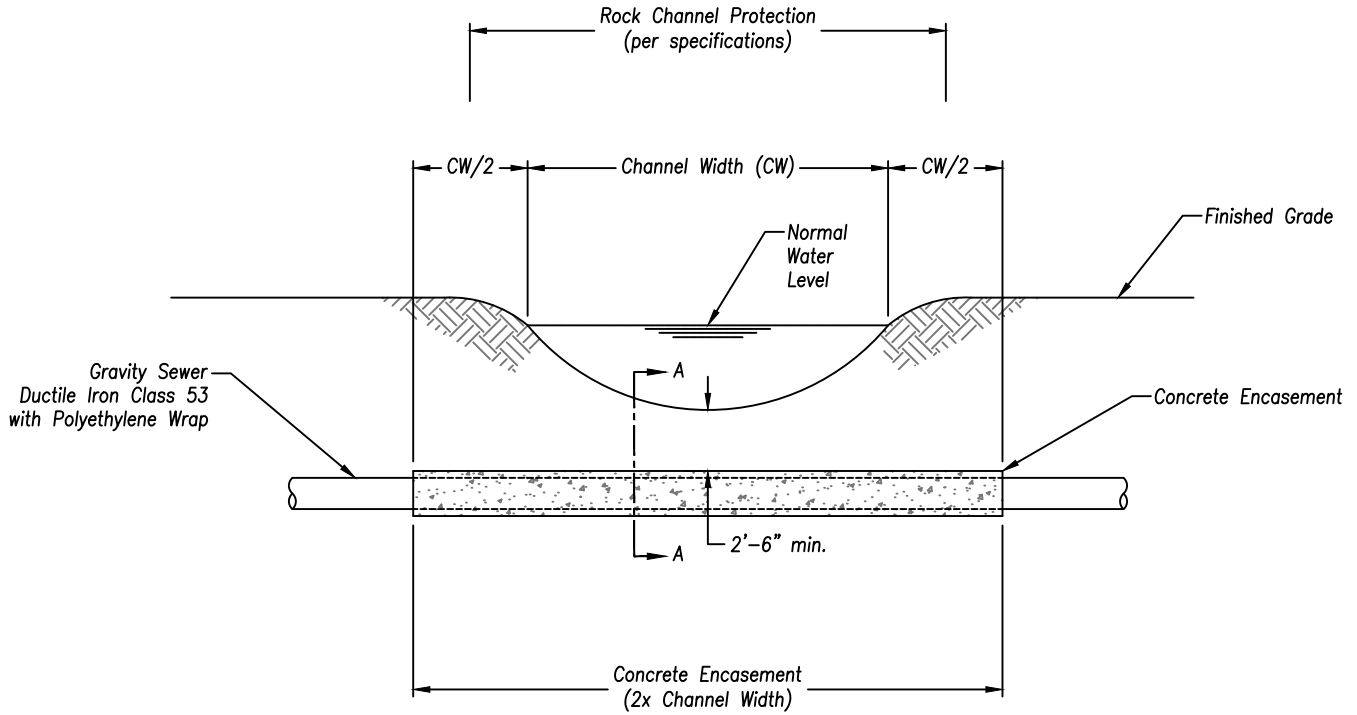


Gravity Sewer Creek Crossing

DATE: 05/04/2020

SCALE: NONE

FILE: 2020-028.DWG



Notes:

1. Manholes shall not be installed within the limits of the concrete encasement or the stream banks.
2. Minimum depth of cover for concrete encasement will be reviewed on a case by case basis. Greater depth of cover may be required for higher velocity streams. Final determination on depth of cover required is to be made by the Director of Public Utilities.