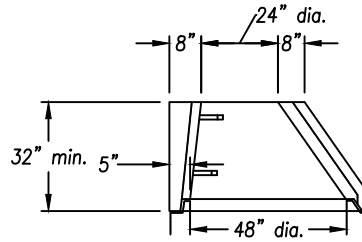


#### Min. Base Slab Thickness, BT

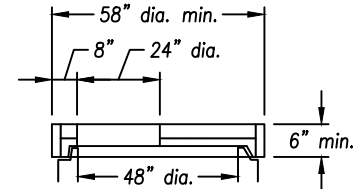
Depth (feet)	BT (inches)
0' - 15'	8"
15.1' - 20'	10"
20.1' - 25'	12"
25.1' - 30'	14"

#### Wall Thickness, T

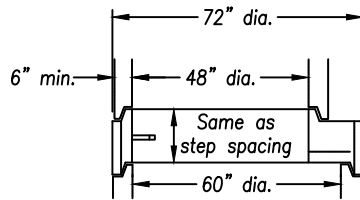
MH Dia. (feet)	T (inches)
4'	5"
5'	6"
6'	7"



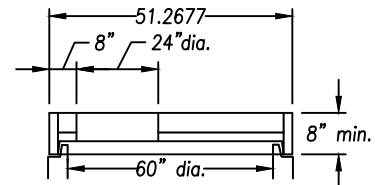
Eccentric Cone Top



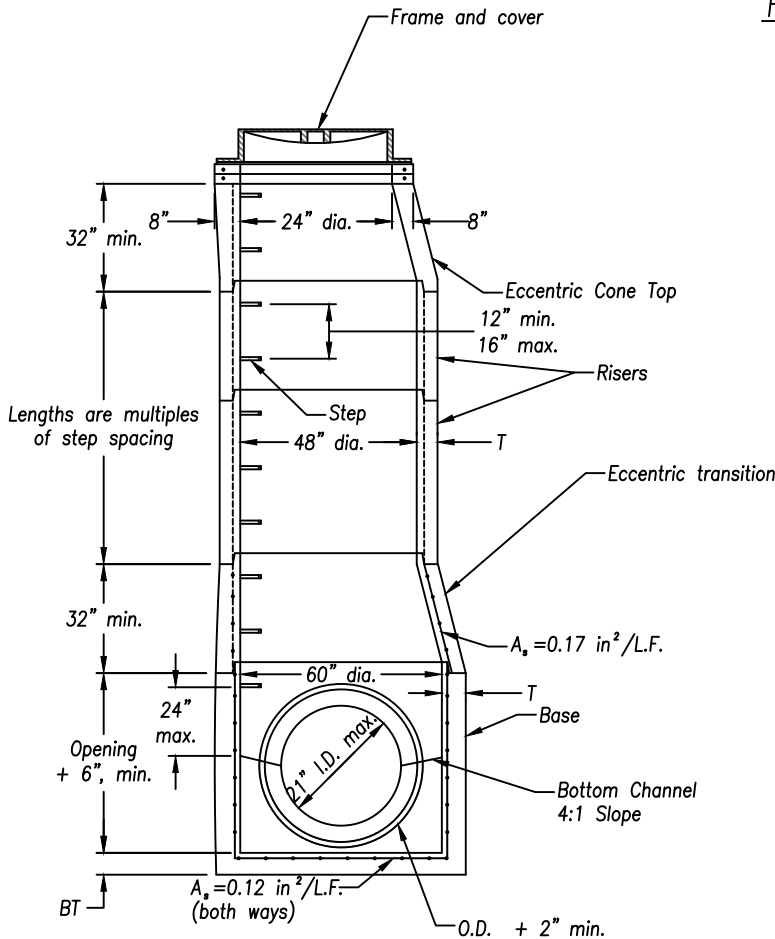
Flat Slab Top, 58" min.



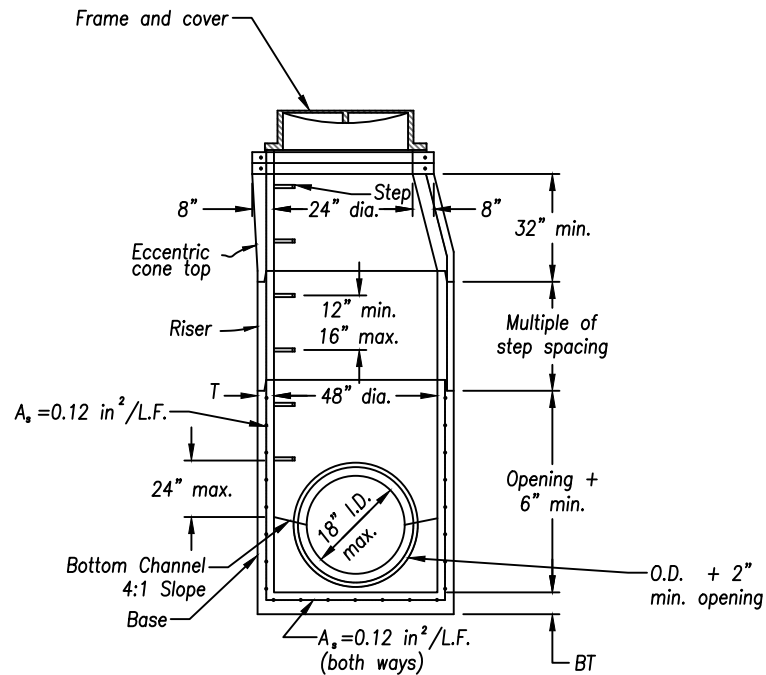
Flat Slab Transition



Flat Slab Top, 72" min.



60" Precast Base, 21" and Smaller Pipe



48" Precast Base, 18" and Smaller Pipe

Notes:

1. Manholes shall be pre-cast concrete. Pre-cast manhole sections and joints between sections to conform to current applicable ASTM standards.
2. Pre-cast bases are required. Cast in place bases are allowed only on existing sewer mains when approved by the City's Public Utilities Director.
3. Joint seal between pre-cast sections on sanitary sewers will be resilient and flexible gasket joints per ODOT's most current specification.
4. Precast manhole base for pipe larger than 21" requires a submittal drawing and approval by the Public Utilities Director.