

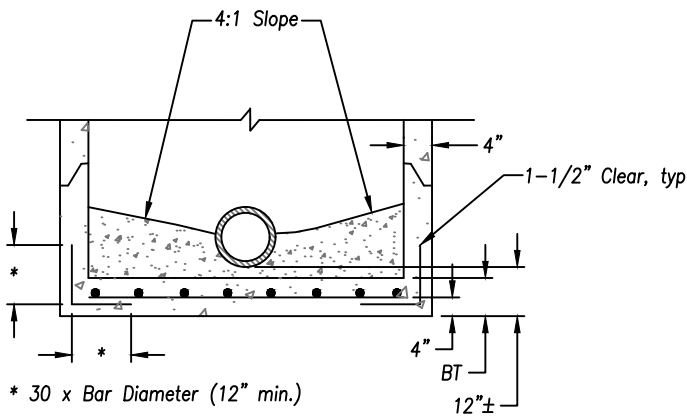
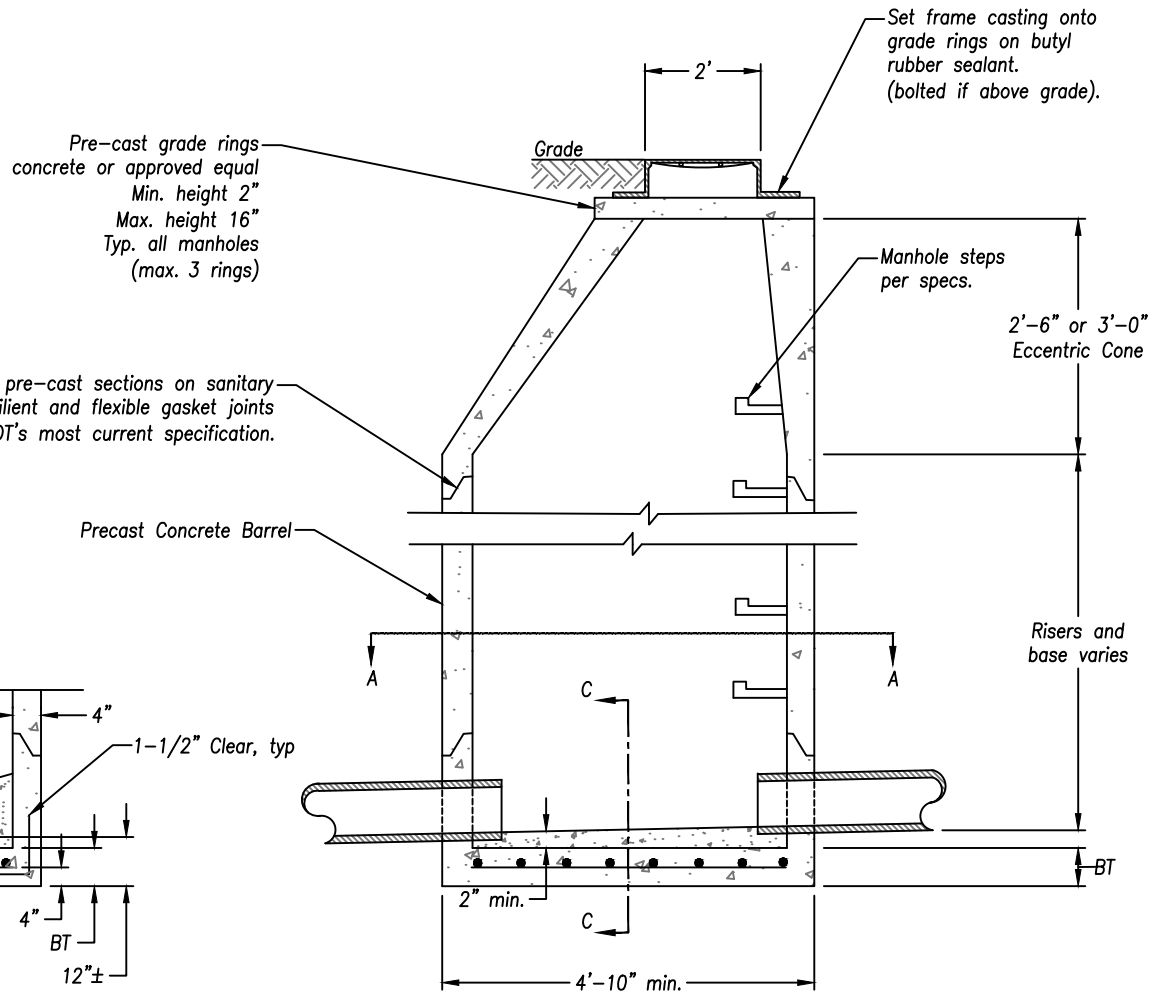
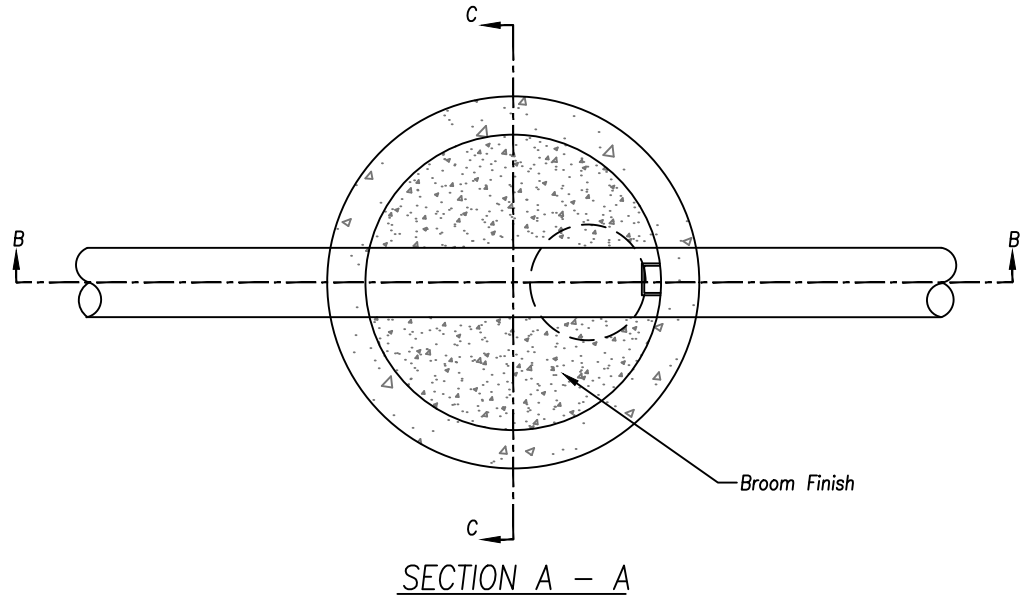
### Standard Control Manhole

DATE: 05/15/2020

SCALE: NONE

FILE: 2020-031.DWG

Min. Base Slab Thickness, BT	
Depth (feet)	BT (inches)
0' - 15'	8"
15.1' - 20'	10"
20.1' - 25'	12"
25.1' - 30'	14"



SECTION C - C

SECTION B - B

Note:

- Control Manhole placement shall be designed per section 506.06 and approved by the Public Utilities Director and/or their designee.