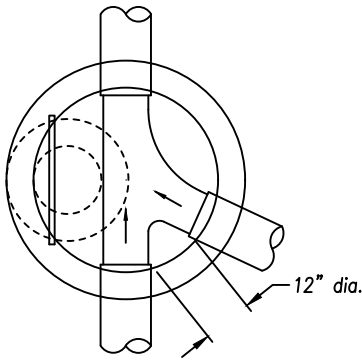


### Drop Manhole

DATE: 05/15/2020

SCALE: NONE

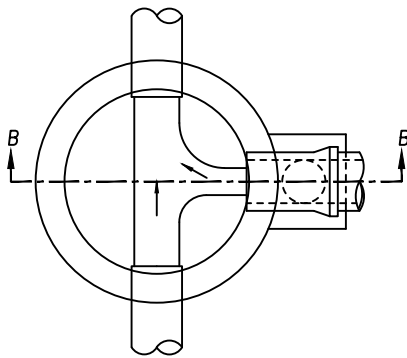
FILE: 2020-033.DWG



Plan-Standard Type A

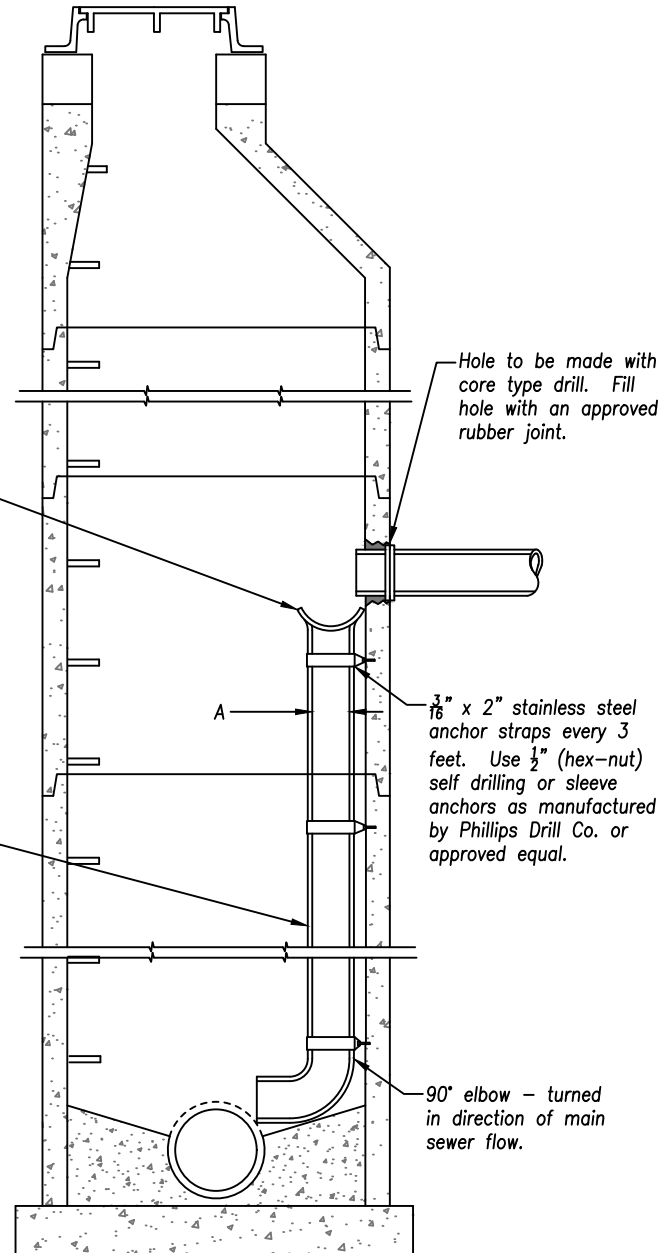
Table of Dimensions

| A (inches) | B (inches) |
|------------|------------|
| 6"         | 6"         |
| 8"         | 6"         |
| 10"        | 6"         |
| 12"        | 8"         |
| 15"        | 8"         |
| 18"        | 10"        |
| 21"        | 10"        |
| 24"        | 12"        |
| 27"        | 15"        |
| 30"        | 18"        |



Plan-Standard Type B

Require Inside Dropbowl Reliner/Duran Inc. or equivalent



Hole to be made with core type drill. Fill hole with an approved rubber joint.

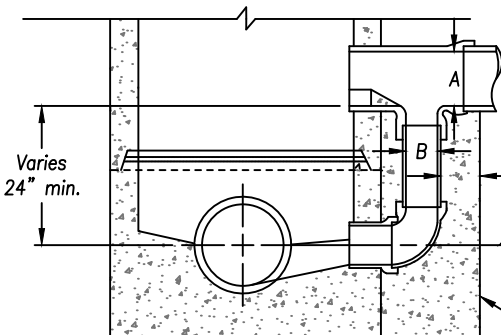
$\frac{3}{16}$ " x 2" stainless steel anchor straps every 3 feet. Use  $\frac{1}{2}$ " (hex-nut) self drilling or sleeve anchors as manufactured by Phillips Drill Co. or approved equal.

SDR 35 or Approved Equal

90° elbow - turned in direction of main sewer flow.

8"  $\varnothing$  of drop pipe to be the same elevation as  $\varnothing$  of effluent sewer.

Precast Concrete Base Class C Concrete



Sewer Drop Outside Manhole

Sewer Drop Inside Manhole

- Notes:
1. Inside drop assembly must be approved in writing by the City's Public Utilities Director.
  2. Pre-cast concrete risers sealed in place with butyl rubber sealant.