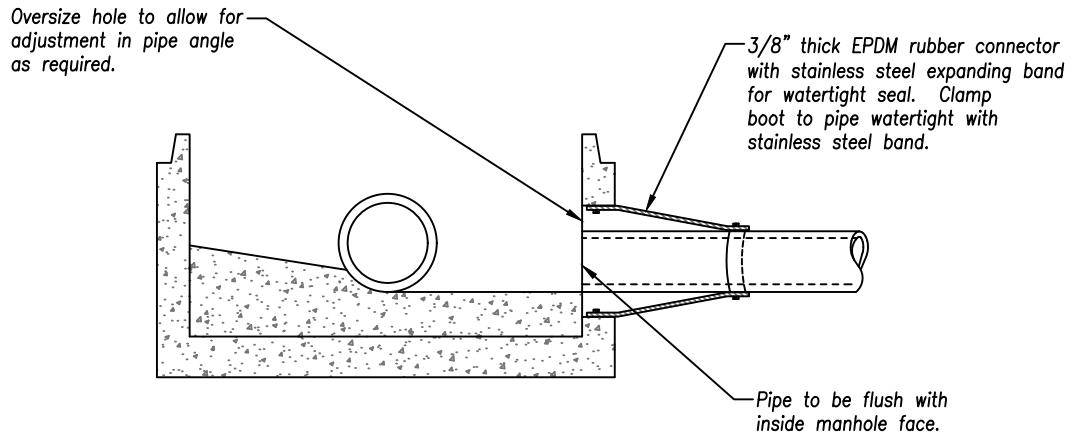
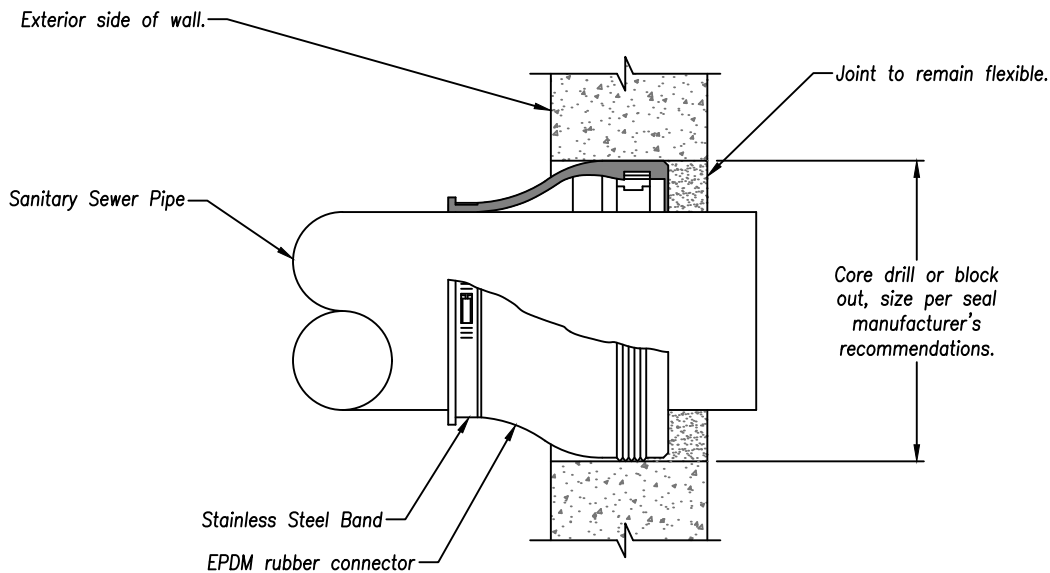


Alternat #1 - New Construction



Alternat #2 - New Construction



Alternat #3 - Existing Manhole

Notes:

1. Wall penetrations shall be located within a riser section and not a wall joint.