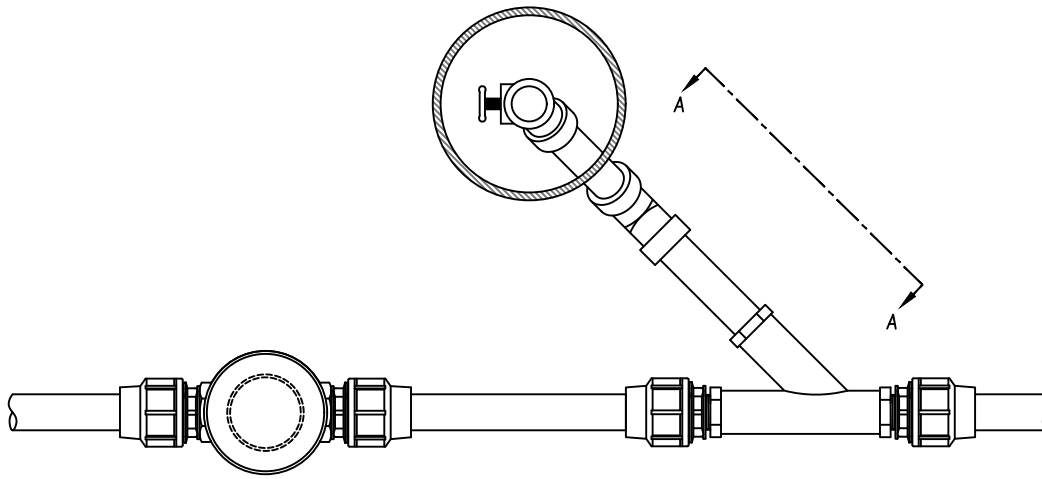


Force Main Flushing Connection on LPSS Main

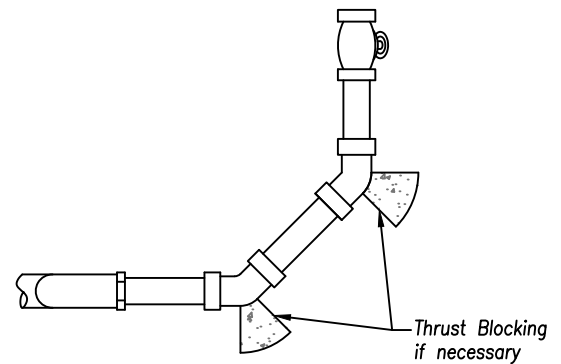
DATE: 05/08/2020

SCALE: NONE

FILE: 2020-039.DWG



Plan View



SECTION A - A

